



EVE-HW



EVE-ST

EVE-HW/ST



LOW PROFILE

The EVE HW/ST offers the architecturally pleasing aesthetics found in all Elite Vestibule Exception (EVE) units but is fitted for applications where Hot Water or Steam is the primary source for heating. The valves protrude from the unit's side for easy connection to pre-existing pipes. The EVE HW/ST has been tested in accordance with the ANSI/AMCA 220 standard and can be used as an exception to vestibules in commercial applications including grocery stores, retail stores, restaurants, offices, and other new construction applications where a vestibule can be eliminated and replaced by an air curtain.

OPTIONS

HEATING

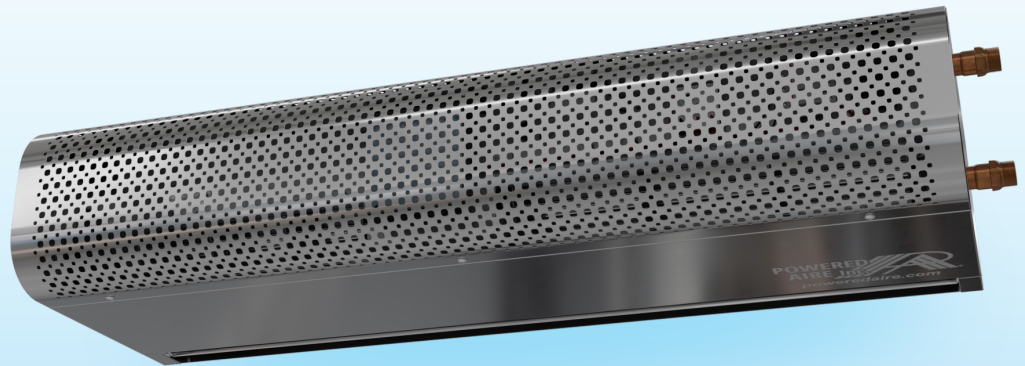
- Unheatedpg 31
- Electric.....pg 33

FILTER

- ½" Cleanable

FINISHES

- Stainless Steel (*shown*)
- Black
- White



AT A GLANCE

Single Incremental Widths

3' to 10'

Max Installation Height

12'

Heavy Duty Motors

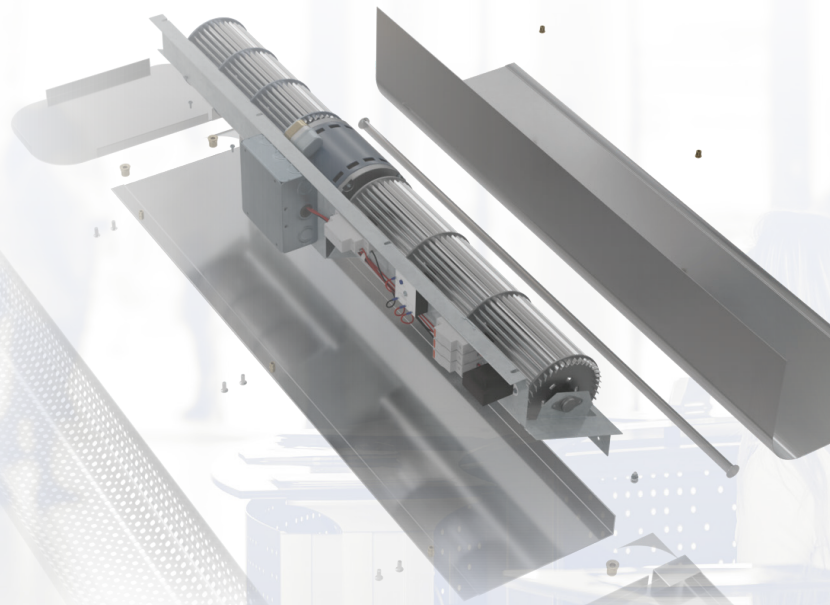
1/5 HP

KEY DESIGN FEATURES

- Low-profile outer cabinet available in brushed stainless steel, matte black, or gloss white
- 1/5 HP ODP (Open Drip Proof) direct-drive variable-speed motor(s)
- Adjustable air foil vane (+/-20°)
- NEMA 12 control panel
- Coil made to AHRI Standard 410
- Hot water coil comprised of galvanized steel casing, 5/8" copper tube, aluminum fins, and same end supply/return connections
- Leak tested at 450 psi
- Custom coil selections available (consult factory)

RECOMMENDED CONTROLS & ACCESSORIES

- Activation by 24V magnetic door switch
- SmartTouch controller
- Hot water or steam control valve with actuator



▶ EVE-HW/ST | PERFORMANCE

EVE-HW/ST | Performance Table

MODEL	Nozzle Width (in.)	Max. FPM at Nozzle	Avg. Outlet Velocity (FPM)	Airflow Rate (CFM)	Outlet Velocity Uniformity	Number of Motors	Motor HP	Weight (lbs)	Hot Water		Steam	
									mbtu / Hour	Temp. Rise (° F)	mbtu/ Hour	Temp. Rise (° F)
EVE-1-30 HW/ST	29	3050	1335	801	66%	1	1/5	62	38	35	30	34
EVE-1-36 HW/ST	35	3262	1348	984	84%	1	1/5	78	38	36	39	36
EVE-1-42 HW/ST	41	3269	1462	1243	84%	1	1/5	89	48	36	47	35
EVE-1-48 HW/ST	48	3256	1520	1474	85%	1	1/5	100	58	36	55	35
EVE-1-60 HW/ST	59	3218	1529	1865	84%	1	1/5	125	71	35	70	35
EVE-2-72 HW/ST	71	3262	1348	1968	84%	2	1/5	139	76	36	72	34
EVE-2-84 HW/ST	83	3269	1462	2486	84%	2	1/5	155	94	35	97	36
EVE-2-96 HW/ST	95	3256	1520	2948	85%	2	1/5	169	112	35	113	36
EVE-2-108 HW/ST	107	3242	1525	3339	84%	2	1/5	190	125	35	128	35
EVE-2-120 HW/ST	117	3218	1529	3730	84%	2	1/5	206	146	36	142	35
EVE-1-72HW/ST is not AMCA Certified												
EVE-1-72 HW/ST	71	3225	1902	2616	62%	1	1/5	137	101	35	100	35

! For a unit over 10 feet long, consult factory.
Designed for compact spaces such as the area above drive-thru windows or restaurant doors.

EVE-HW/ST | Velocity Projection

DISTANCE FROM NOZZLE	40"	80"	120"	160"
EVE-1-36 Core Velocity (fpm)	1048	784	677	603

EVE-HW/ST | Sound Levels

Measured 10 ft. from unit in a free field based on a 1 motor unit 53 dBA

EVE-HW/ST | Single Phase Motor Options

Voltages available	120	208/230	480	575
Amp draw per motor	4.4	2.0	1.1	0.9



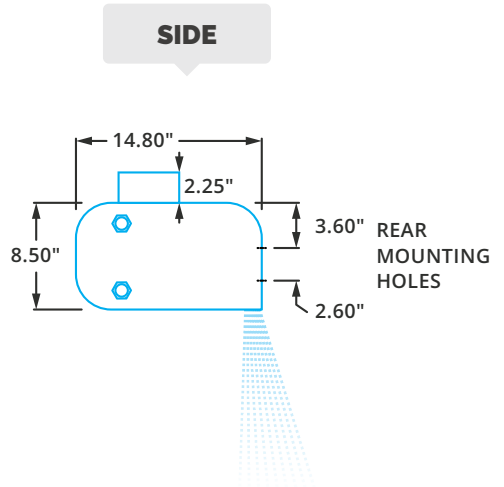
Performance Highlight

The EVE unit is rounded for an aesthetically pleasing look and comes in various finishes to blend in with architectural designs.

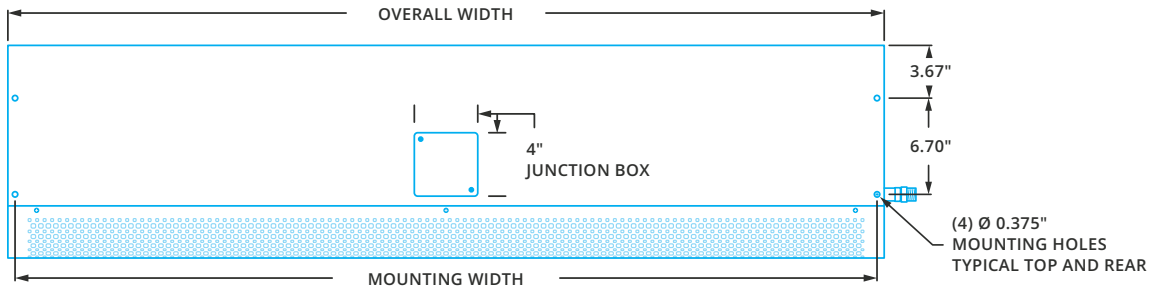
▶ EVE-HW/ST | MECHANICAL DETAILS & DRAWINGS

EVE-HW/ST | Mechanical Information Table

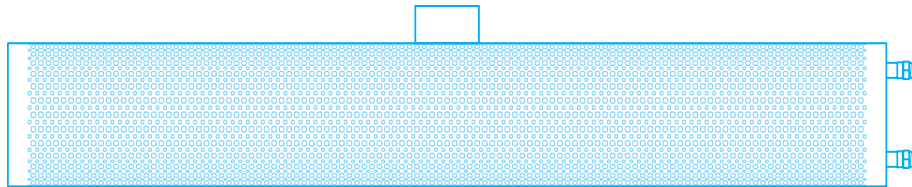
MODEL	Overall Width (in.)	Mounting Width (in.)	Nozzle Width (in.)
EVE-1-30 HW/ST	31	30	29
EVE-1-36 HW/ST	37	36	35
EVE-1-42 HW/ST	43	42	41
EVE-1-48 HW/ST	49	48	47
EVE-1-60 HW/ST	61	60	59
EVE-1-72 HW/ST	73	72	71
EVE-2-72 HW/ST	73	72	71
EVE-2-84 HW/ST	85	84	83
EVE-2-96 HW/ST	97	96	95
EVE-2-108 HW/ST	109	108	107
EVE-2-120 HW/ST	119	118	117



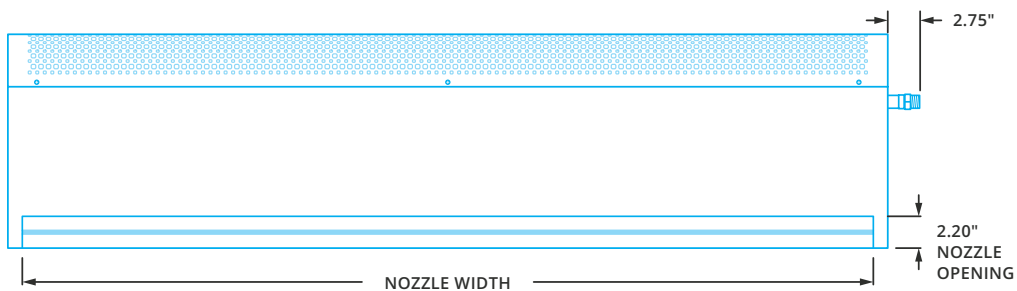
TOP



FRONT



BOTTOM



▶ EVE, EVE-E & EVE-HW/ST | INSTALLATION

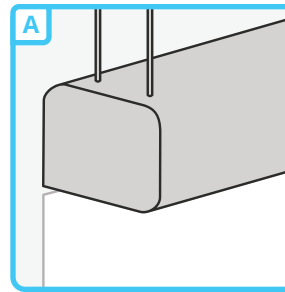


IMPORTANT

- ✓ **NOTE:** The air curtain should be mounted as close to the door header/opening as possible for maximum performance. For every one inch the bottom of the air curtain is mounted above the door header, the back side of the air curtain should be moved away from the wall ¼ inch.
- ✓ Trained and experienced mechanic / electrician required.
- ✓ **WARNING:** Risk of electrical shock, can cause injury or death: Disconnect all remote electrical supplies before servicing.
- ✓ Units must be field wired in accordance with all applicable local, state, provincial and national codes, including wire size and materials.
- ✓ All hardware and brackets must be of sufficient strength to safely support air curtain.

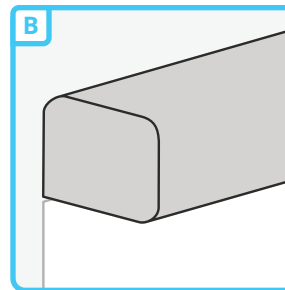
A TOP MOUNT

Unit has four 3/8 - 16 threaded inserts for installing one end of threaded rods. The other ends of the threaded rods can be attached to the ceiling. Threaded rod should not extend more than 3/4 inch into air curtain.



B WALL MOUNT

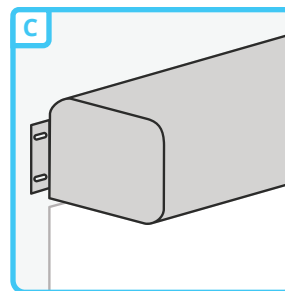
Back side of air curtain has 4 mounting holes capable of accepting four 3/8 mounting bolts or lags, with washers (use these holes only for mounting). Mark and pre-drill mounting surface accurately. A long extension and ratchet will negate the need to remove the motor/blower plate when installing. Mounting bolts or lags of sufficient size and strength should be installed and tightened through the four slots in motor/blower plate.



If motor/blower plate has to be removed, the junction box inside the unit must be removed along with any electrical switches that may be in the way. Remove 7/16 whizlock nuts holding plate in place, and slide plate out, rotating top portion of plate so it comes out first. Remember when installing plate to put bottom of plate in first and push and rotate top in last.

C EXTENSION BRACKETS (WALL MOUNT)

Extension brackets bolt on to the back of the unit, utilizing the 4 original mounting holes, and allowing for external mounting of unit to wall. Brackets have elongated mounting slots that extend the mounting width by 2½ to 3½ inches.



D LP123 BRACKETS

Universal mounting slots are used to lag the bracket to the wall (bolts by others). 3/8" mounting bolts (supplied) are threaded into the holes located in all four corners of the back side of the air curtain, leaving 1/2" of the bolts exposed.

